

Bridge Type Flap Barrier Gates



Single Core



Dual Core

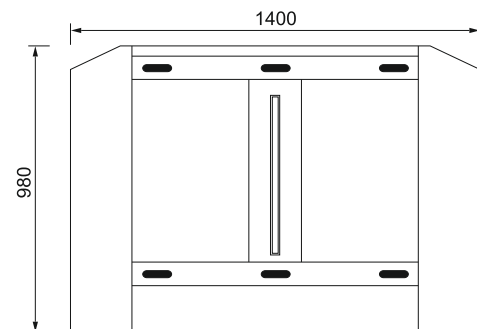
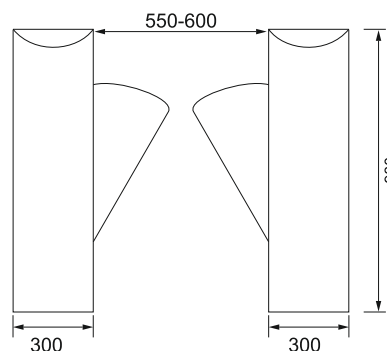
S-FB1000S / S-FB2000S

- Problem self-recovery and corrective measure ability, convenient maintain and adjust
- Motherboard with high clean sound read chips which could broadcast in light of user's requirement
- Human base model indication function, real time displaying, improve the passing rate and convenient maintain
- Automatic counting indicating passenger's number
- Resetting automatically, auto cancel the pass through and closed barrier in case nothing pass the channel in a setting time
- Anti pinch function with UPS to satisfy firefighter requires, ensure user's safe
- Break-in ,tail ,over-pass and reverse alert function in order to keep orderliness and effective manage
- Standard input/output port, meanwhile leaving a port space for installing RS485 communication, connect and manage the integrated systems through the remote PC.
- Super combination capacity, adjustable model on site , adjustable speed of barrier slide ,Open signal with memory or with out set function

Key Features

- Cabinet & Internal Structure is in 304 SS grade.
- Flap Material is in Acrylic
- Unlock Time 0.6 second
- Passing Speed 30-40 Person/Min.
- Passing Width 500-600mm Per Lane
- Power Supply AC220, 50Hz
- Humidity 95%
- Operational Voltage Motor (24V)
- Working Temp -10°C to +60°C
- Dimension Excluding Bars (H980xW300xD1200mm)

Dimension (mm)



Specification

Specification

S-FB1000S

S-FB2000S

Outside Housing Material	304 stainless steel
--------------------------	---------------------

Internal Structure	Frame or 304 Stainless steel cover
--------------------	------------------------------------

Drive voltage	DC24V/ 20W
---------------	------------

Power voltage	AC220 ± 10%, 50Hz
---------------	-------------------

Drive Motor	DC motor 24V
-------------	--------------

Relative humidity	≤ 95%, None-condensation
-------------------	--------------------------

Open direction	Single	Double
----------------	--------	--------

Gate opening and closing time	0.6s
-------------------------------	------

Working Current	≤ 2000 mA
-----------------	-----------

IP Degree	IP55
-----------	------

Length of the bar	260mm
-------------------	-------

Width of passage	≤ 600 mm
------------------	----------

Pass speed	30 ~ 40 Person / Minutes
------------	--------------------------

Dimension (Customized Optional)	1200*300*980mm
---------------------------------	----------------

Operation condition	-10°C ~ 60°C
---------------------	--------------

